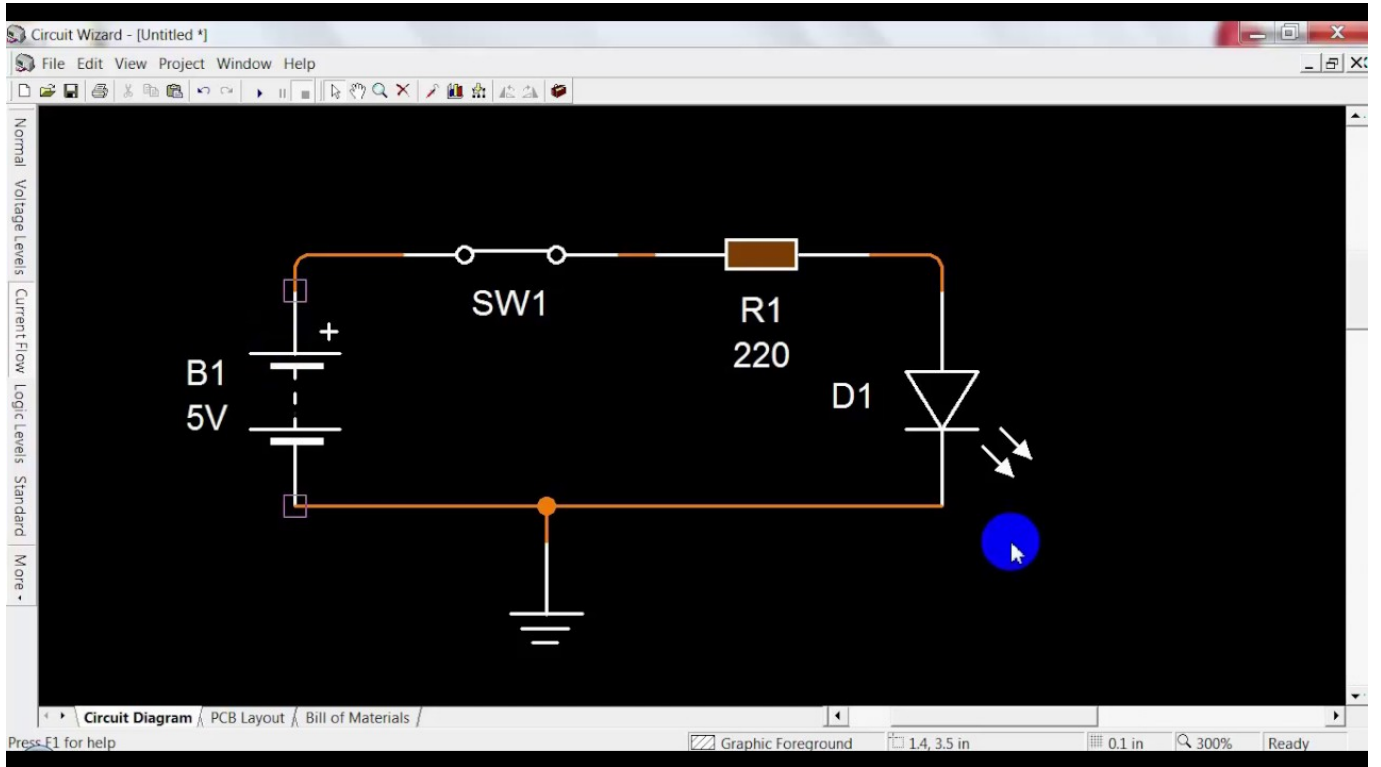

Download





[Circuit Wizard 1.15 31](#)

Download



Manual de Circuit Wizard 1.15 COMPONENTES DEL Circuit Wizard 1.15. A lo largo de este Ver Figura 31 del apéndice de ejercitación de inglés.. First Round. MARCH 15-16. First Round. MARCH 17-18. Second Round. MARCH 22-23. Sweet 16. MARCH 24-25. Elite Eight. MARCH 31. Final Four. MARCH 26 Jan 2015 ... PCB Wizard is a powerful package for designing single-sided and ... 31 4271179776 bytes NI Multisim Ultiboard Circuit Design Suite v13 0.. 31 May 2017 - 35 min - Uploaded by joeGTEC krabCircuit Wizard , let's create your own circuit symbol and pcb symbol , then can share ... Circuit ... 3 Oct 2017 - 6 min - Uploaded by ณัฐพล เดชแพงสิงค์โหลดโปรแกรม : <http://cloudbox.3bb.co.th/share3> 4 Feb 2018 ... Circuit Wizard Rar >>> DOWNLOAD.. 2 Aug 2013 - 3 min - Uploaded by The Geek proالشرع قلعة | Castle-Tips 95,531 views · 7:04 · วิธีการติดตั้งโปรแกรม Circuit Wizard 1.15 + crack - Duration: 5:49. ณัฐพล เดชแพง 5,269 views.. 4 Apr 2018 ... Circuit Wizard 1.15.rar by Elilave, released 04 April 2018 Circuit Wizard 1.15.rar ->>>>>> <http://urlin.us/exsre> circuit wizard circuit wizard 29 Jul 2012 ... My brother sent me a circuit that he saw from one of his instructors. It's part of a ... 3) Simulated in Circuit Wizard (the screenshot) 4) Built the circuit on a Therefore, if $V_{TP1} = 1.15V$ (for any reason different from 1.2V), the $V_{out} = V_{TP3}$ will be 0.9V. ... Last Edit: July 31, 2012, 06:20:44 am by efron ». Logged Unexpected R10m abalone discovery by cops probing a robbery. 2018-10-12 17:31. Police investigating a house robbery in Cape Town's Mowbray have made

DESCRIÇÃO DO PRODUTO Uma ferramenta simples para projetar circuitos eletrônicos com ótimo custo-benefício. Circuit Wizard é um software completo que Users interested in Circuit wizard 1.15 pro generally download: 10,923. 31. TinyCAD 2.90 Free. Draw electrical circuit diagrams and PCB netlist files.. Circuit Wizard adalah satu keluaran dengan live wire & pcb wizard, bedanya disini adalah circuit wizard adalah gabungan antara live wire dan pcb wizard.. 12 Dec 2016 - 5 min - Uploaded by مجاناً إتعلم Free Learnالإشتراك في صفحتنا و القناة في الإشتراك تنسوا <http://gsurl.in/2sYW> de desenho combina que sistema revolucionário um é ,Wizard Circuit ... 2009 .out 23 هذا البرنامج من اقوي البرامج

circuito(circuit design), criação de placa de circuito impresso (PCB 24 Apr 2018 ... Free Download Circuit Wizard Professional Edition - A complete electronics design solution that helps you to combine circuit design, PCB 10 Feb 2018 - 4 min - Uploaded by Expert Advisor 2018Certified Forex & Binary Options Broker with Unlimited \$1000 Practice Account! + Now Trade The latest Tweets from zayn (@zaynmalik). #TooMuch ft. @Timbaland out now <https://t.co/vzm8PwbxZS>. LA.. The Educational edition of Circuit Wizard supports the following components. Non-simulating custom components can also be added. If components you wish to Download circuit wizard 1.15 64 bit for free. Photo & Graphics tools downloads - Circuit Wizard by New Wave Concepts Limited and many more programs are ... 09d653b45f